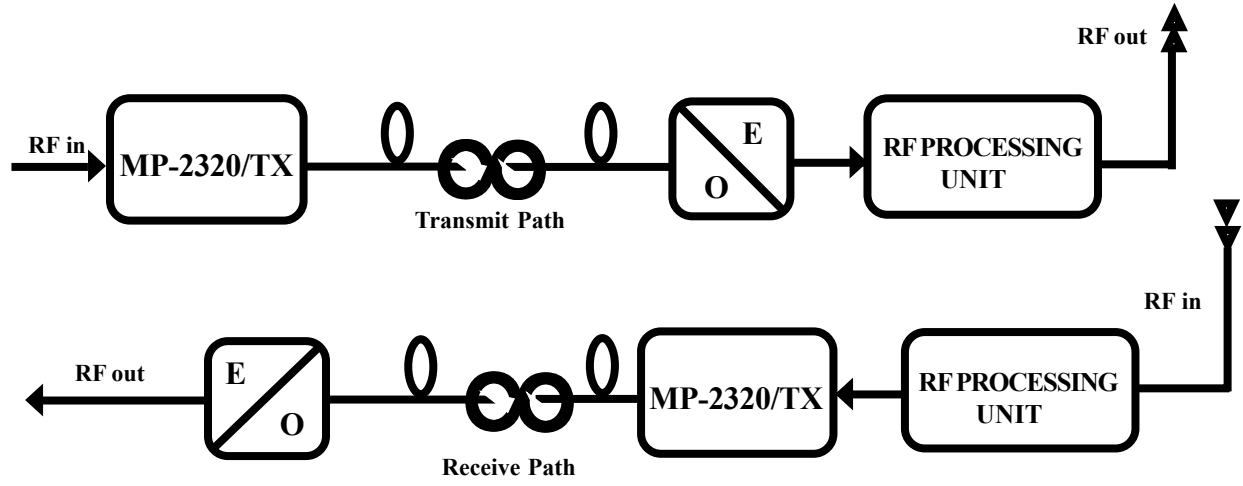


Compact
RF Analog Fiber Optic Transmitter



Model: MP-2320/TX

Features

- High Dynamic Range
- Shielded enclosure
- Low frequency auxiliary channel
- Connectorized
- Low Distortion
- Wide Bandwidth

Description

The MP-2320/TX is a RF/fiber optic transmitter designed for antenna remoting and broadband RF (0.1 - 2.0 GHz) transmission applications, using singlemode fiber optic cable. In addition to the RF channel, the transmitter also contains a low frequency auxiliary data channel that can be used to transmit Monitoring and Control signals.

The transmitter utilizes a highly linear, temperature stabilized, DFB laser that operates at a 1310nm wavelength. The transmitter is packaged in a compact, connectorized, 3U high, plug-in module and is mechanically compatible with 19" 3HE slots.

Applications

- Point to point wideband RF applications
- Mobile communications links
- Antenna Remoting
- Trunking Radio
- GPS

882 S. Matlack St. Unit 104 phone: 610.344.7676
 West Chester, PA 19382 fax: 610.344.7110
 email: mpss@erols.com

MPS Copyright 1999

MP-2320/TX SPECIFICATIONS

<i>Optical</i>						
OPERATING WAVELENGTH	[nm]	1310 ± 15				
LASER DIODE		Class 3A				
FWHM LINEWIDTH	[nm]	± 2				
OUTPUT POWER	[dBm]	+3 +/- 0.5				
ALLOWED BACKREFLECTION (max)	[dB]	36@ full specs				
E/O DIFF. EFF. (typical)	[W/A]	0.023@+71°C	0.030@+25°C	0.037 @ -40°C		
<i>RF Channel</i>						
MODULATION BANDWIDTH	[GHz]	0.1 to 2				
FLATNESS (max)	[dB]	± 1.0				
INPUT RETURN LOSS (min)	[dB]	9				
1dB COMP. LEVEL (min)	[dBm]	+20@ 1GHz / +25°C				
INPUTIP-3 MIN @ 2x+3 dBm	[dBm]	+34@ 1GHz / +25°C				
INPUT DAMAGE LEVEL	[dBm]	+27				
EIN (max)	@ +25°C	[dBm/Hz]	-130	@1GHz	-125	@1.9GHz
	@-40°C		-135		-130	
	@ +71°C		-125		-118	
<i>Auxiliary Channel</i>						
MODULATION BANDWITH	[MHz]	1 to 30				
FLATNESS (max)	[dB]	±1.5				
<i>General</i>						
POWER SUPPLY		+12.5 to +15Vdc, 150mA max @+25°C continuous operation		+18 Vdc absolute max for 30 sec		
OPTICAL OUTPUT RECEPTACLE		FC-APC				
RF INPUT CONNECTOR		SMA-F, 50Ω				
AUXILIARY INPUT		Dedicated pins on the DC connector				
DC CONNECTOR		DIN 41612				
TEMPERATURE RANGE	[°C]	STORAGE -40 TO +80		OPERATING -40 TO +71		
LOCAL ALARM		Optical power failiure				
LOCAL SIGNALING		Optical power failure				
REMOTE ALARMS		Summary alarm, Relay contacts				
STANDARD CONFORMITY		CE				
DIMENSIONS	[mm]	130(h) x 175(l) x 35(w)				
WEIGHT	[g]	200				